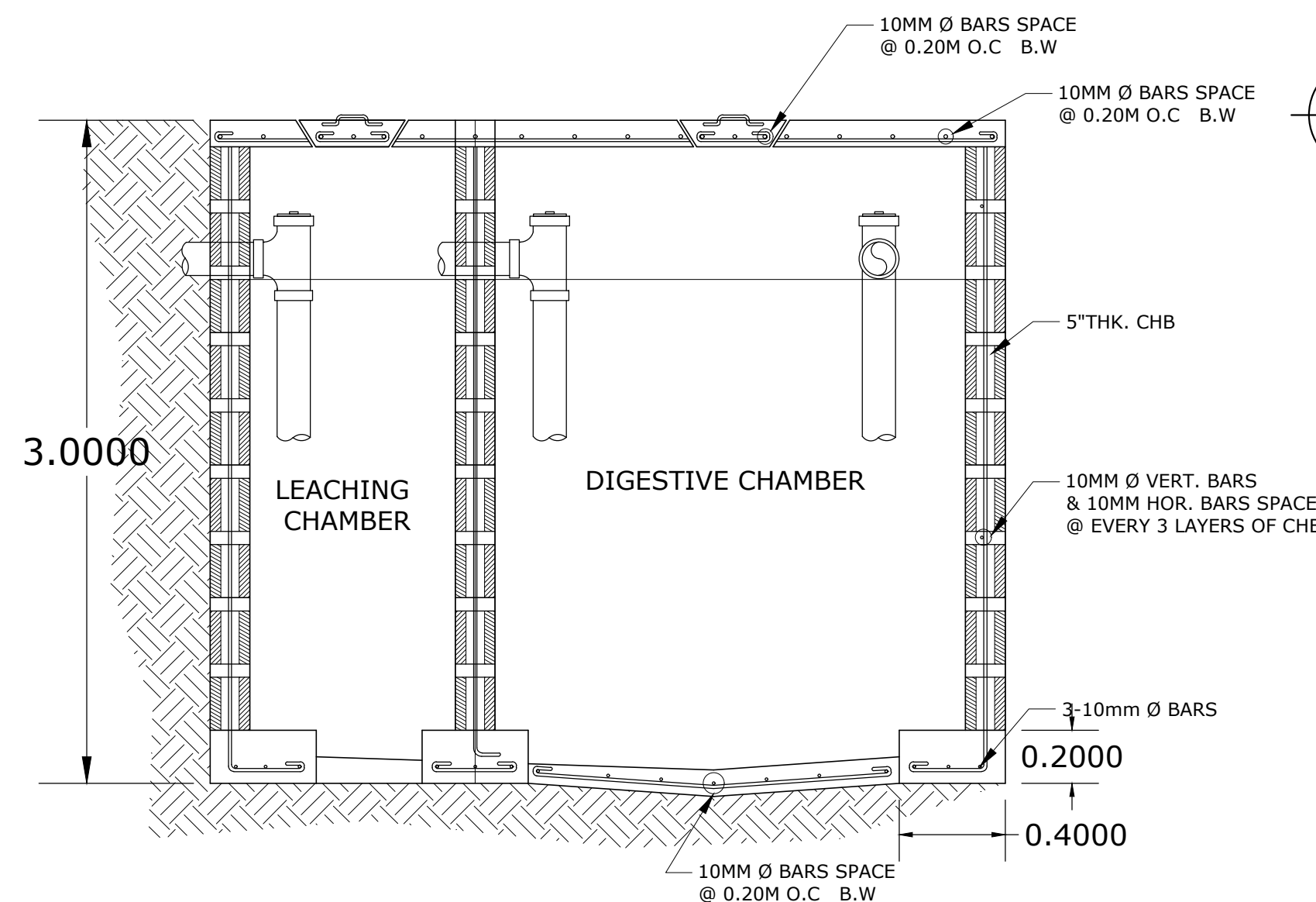
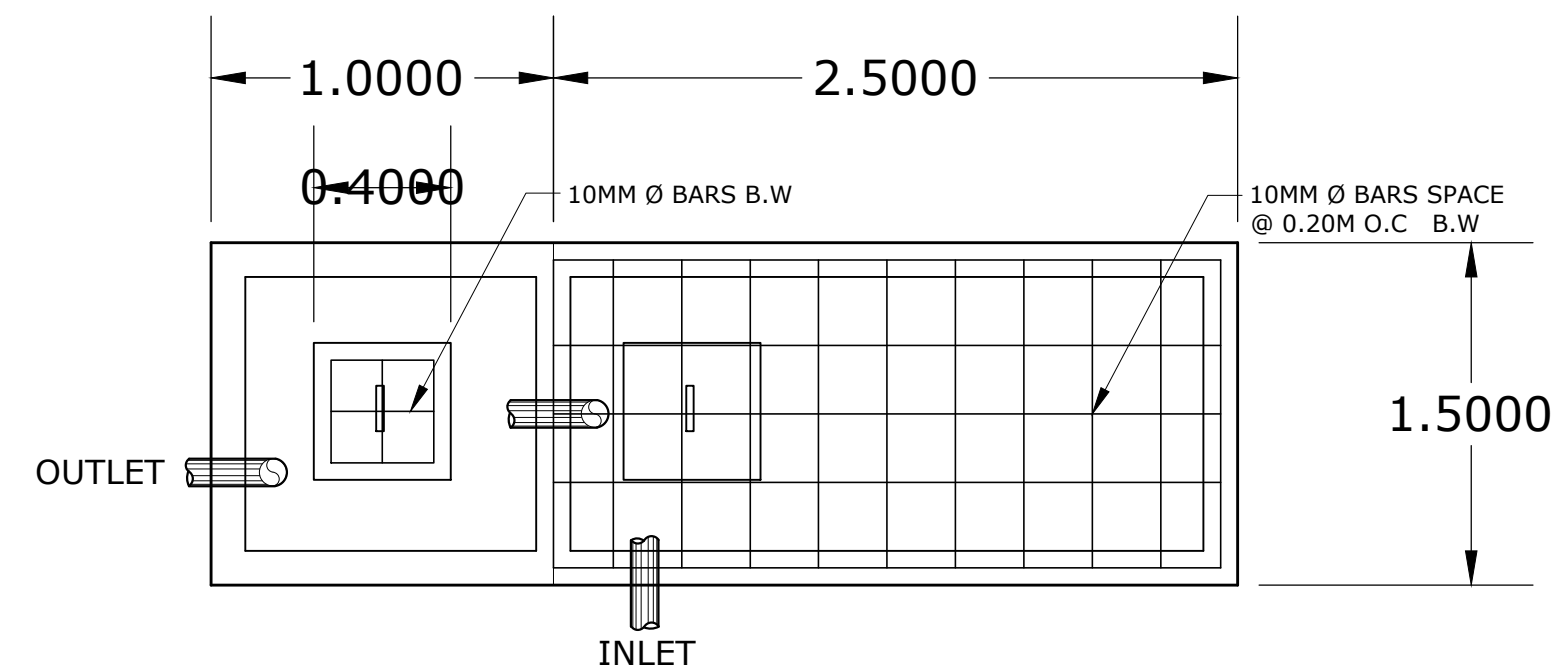


GENERAL NOTES

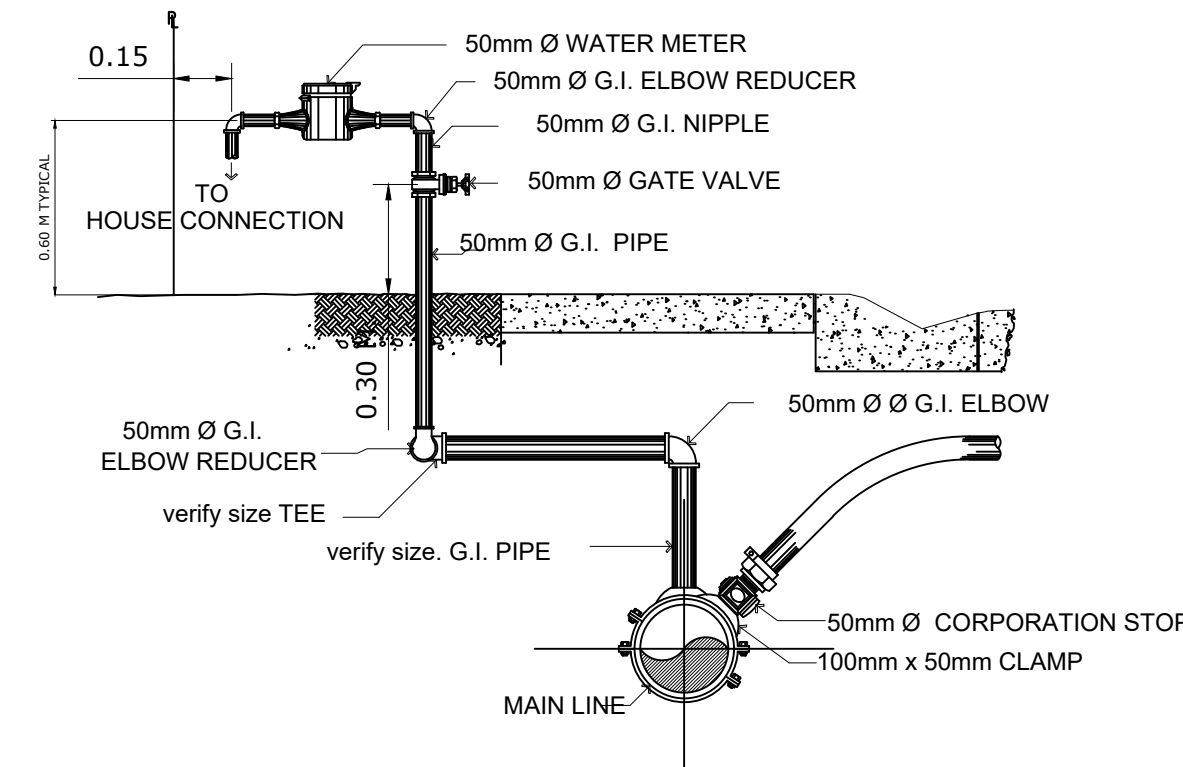
1. ALL PLUMBING WORKS INCLUDED HEREIN SHALL BE EXECUTED ACCORDING TO THE PROVISIONS OF THE PHILIPPINE PLUMBING CODE, THE NATIONAL BUILDING CODE, AND RULES AND REGULATIONS OF THE MUNICIPALITY OF BATANGAS CITY.
2. COORDINATE THE DRAWING WITH THE OTHER RELATED DRAWINGS, THE DESIGNER SHALL BE NOTIFIED IMMEDIATELY OF ANY DISCREPANCY FOUND THEREIN.
3. PIPES SHALL BE INSTALLED AS INDICATED, ANY RELOCATION REQUIRED FOR PROPER EXECUTION OF OTHER TRADES SHALL BE WITH PRIOR APPROVAL OF THE ARCHITECT OR THE DESIGNER.
4. PROPOSED SANITARY UTILITIES SHALL CONFORM TO THE ACTUAL LOCATION, DEPTH AND INVERT ELEVATIONS OF THE EXISTING PIPES AND STRUCTURES AS VERIFIED BY THE CONTRACTOR.
5. ALL SLOPES FOR HORIZONTAL BRANCHES SHALL MAINTAIN 1% AS MINIMUM UNLESS OTHERWISE NOTED.
6. PROVIDE AIR CHAMBER WITH CAP TO ALL FIXTURES, LENGTH SHALL BE 12" FOR 12mmØ PIPES AND 18" FOR 19mmØ PIPES.
7. ALL PLUMBING VENT THRU ROOF SHALL BE A MINIMUM OF 10'-0" AWAY FROM ALL FRESH AIR INTAKE.
8. PURGE ALL WATER LINES BEFORE CONNECTIONS.
9. PROVIDE TRAPEZE TYPE HANGERS FOR WATER LINES RUNNING ABOVE CEILING, SPACE SHALL BE 2.00 M.O.C.
10. PROVIDE LEAD SHEET FLASHING ON ALL EXTENDED VENT THRU ROOF.



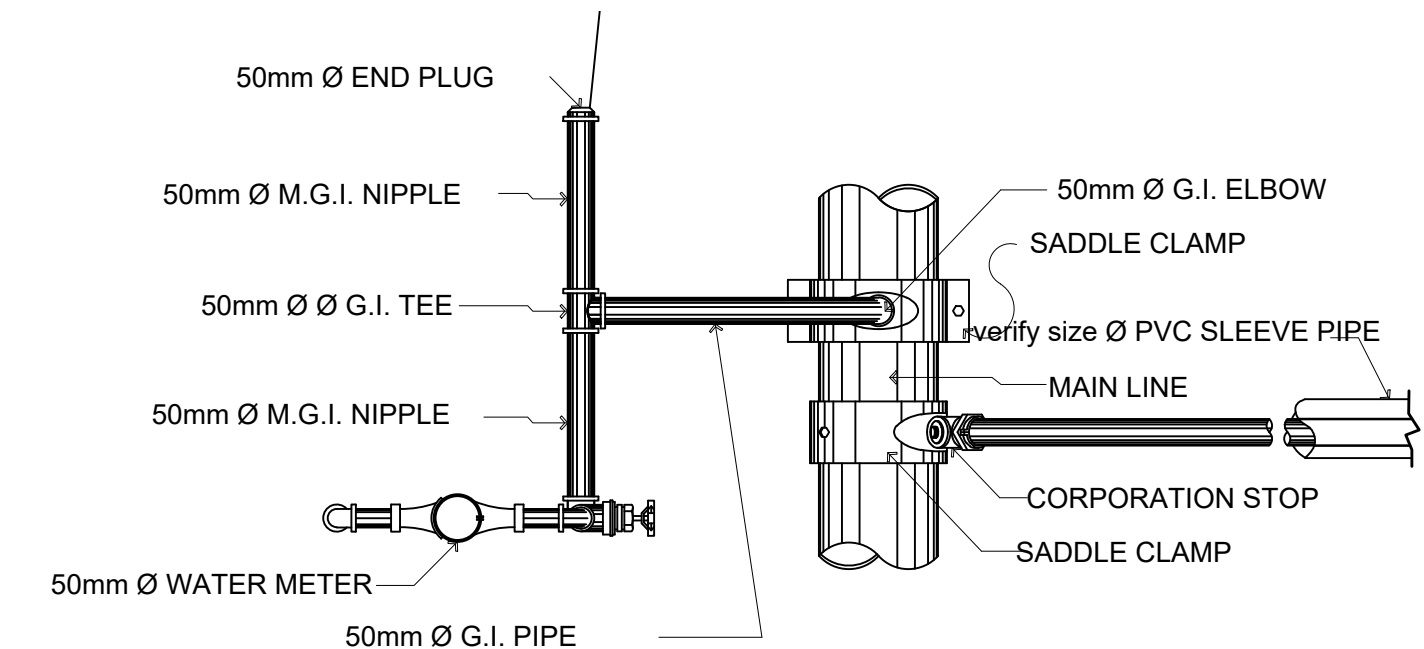
1 SEPTIC TANK DETAILS
 PL 04 SCALE N.T.S MTS.

LEGEND:

	GV	GATE VALVE
	WM	WATER METER
	WC	WATER CLOSET
	CO	CLEANOUT
	VTR	VENT THROUGH ROOF
	ST	SEPTIC TANK
	SHO.	SHOWER
	F	FAUCET
	DS	DOWNSPOUT
	CB	CATCH BASIN
	SHO	SHOWER



2 DETAILED ELEVATION OF WATER TAPPING
 PL 04 SCALE N.T.S MTS.



3 DETAILED PLAN OF WATER TAPPING
 PL 04 SCALE N.T.S MTS.