

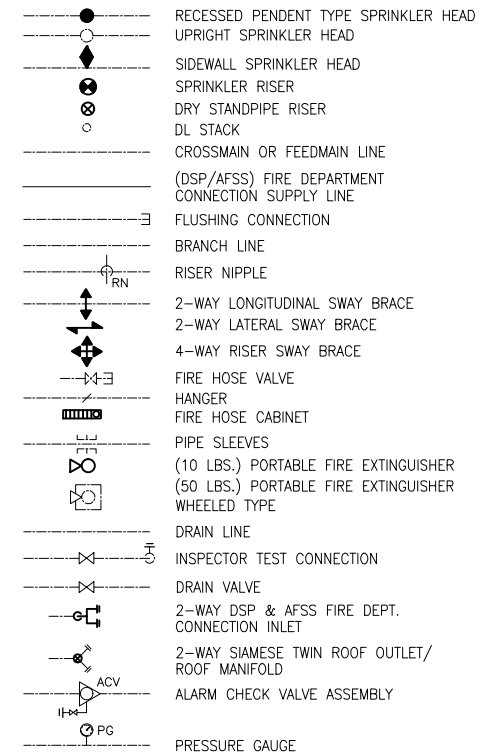
GENERAL NOTES :

- MOTORS, GENERATORS AND OTHER ELECTRICAL EQUIPMENT SHALL BE PROVIDED WITH NON-COMBUSTIBLE SPLASH PROOF SHIELDS OR HOODS.
- SPRINKLER HEADS SPACED LESS THAN 1.80 M. (6 FT.) SHALL BE PROVIDED WITH BAFFLES OR DEFLECTORS.
- FLOOR DRAINS FOR OIL SPILLS SHALL BE PROVIDED IN FLOOR SLAB FOR TRANSFORMER VAULT, BY PLUMBING CONTRACTOR.
- ALL PORTABLE FIRE EXTINGUISHER (PFE) SHALL BE "ABC" TYPE DRY CHEMICAL UNLESS OTHERWISE SPECIFIED (INSIDE FIRE HOSE CABINETS.)
- ALL ELECTRICAL, MECHANICAL, AHU ROOMS TO BE PROVIDED WITH 10 LBS. FE-36 TYPE PORTABLE FIRE EXTINGUISHER.
- TRANSFORMER VAULT SHALL BE PROVIDED WITH 1-50 LBS. WHEELED TYPE CO2 PORTABLE FIRE EXTINGUISHER.
- ALL PIPES PASSING THRU BEAMS/GIRDERS SHALL BE PROVIDED WITH PIPE SLEEVES.
- FINAL QUANTITY OF FIRE EXTINGUISHER IS SUBJECT TO APPROVAL OF THE BUREAU OF FIRE PERSONNEL.

MATERIAL SPECIFICATIONS :

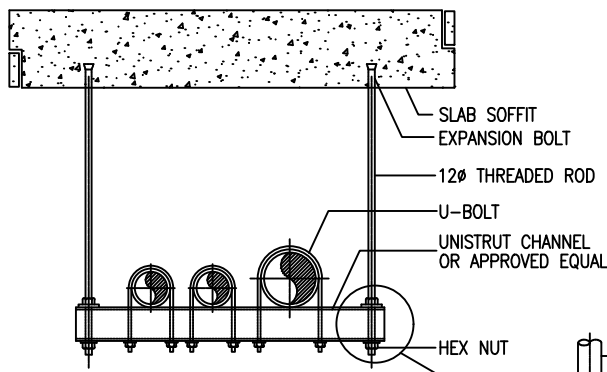
- FIRE LINES** FIRE LINES SHALL BE BLACK IRON (B.I.) PIPES SCHEDULE 40 "STANDARD" CONFORMING TO ASTM A-120-1980 "MAYER" OR "SUPREME" BRAND OR APPROVED EQUIVALENT.
- GATE VALVES** SHALL BE OUTSIDE SCREW AND YOKE (OS&Y) TO ASTM B-82 CHECK AND GLOBE VALVES TO ASTM B-82.
- SPRINKLER HEADS** ALL SPRINKLER HEADS, PENDENT (CONCEALED, UPRIGHT & SIDEWALL) SHALL BE RATED 57°C (135°F) TO 74°C (165°F) EXCEPT ON AHU, PUMP, MECHANICAL ROOM & KITCHEN SHALL BE 79°C (175°F) TO 100°C (212°F).

LEGEND :



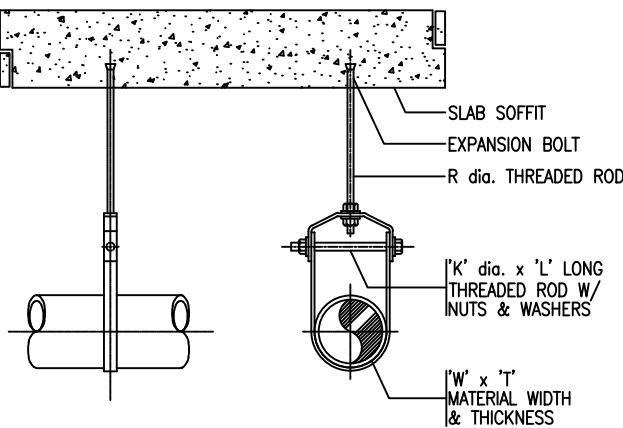
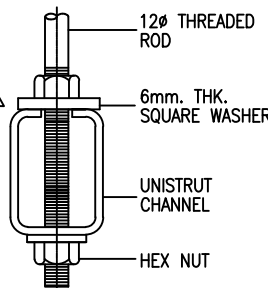
ABBREVIATION:

- ACV ALARM CHECK VALVE
- AFSS AUTOMATIC FIRE SPRINKLER SYSTEM
- CV CHECK VALVE
- DL DRAIN LINE
- DSP DRY STAND PIPE
- DV DRAIN VALVE
- FCV FLOOR CONTROL VALVE
- FHC FIRE HOSE CABINET
- FHV FIRE HOSE VALVE
- GV GATE VALVE
- ITC INSPECTOR TEST CONNECTION
- (OS & Y) GV GATE VALVE (OUTSIDE SCREW & YOKE)
- PFE PORTABLE FIRE EXTINGUISHER
- PG PRESSURE GAUGE
- RN RISER NIPPLE
- WFS WATER FLOW SWITCH



STANDARD TRAPEZE HANGERS TABLE OF DIMENSIONS

PART NO.	L	LOAD CAPACITY	CHANNEL
P2700	300	3.20 kN	P4000
P2701	450	2.00 kN	P4000
P2702	600	1.45 kN	P4000
P2703	600	4.23 kN	P2000
P2704	750	3.34 kN	P2000
P2705	900	3.50 kN	P1000
P2705	1000	3.25 kN	P1000

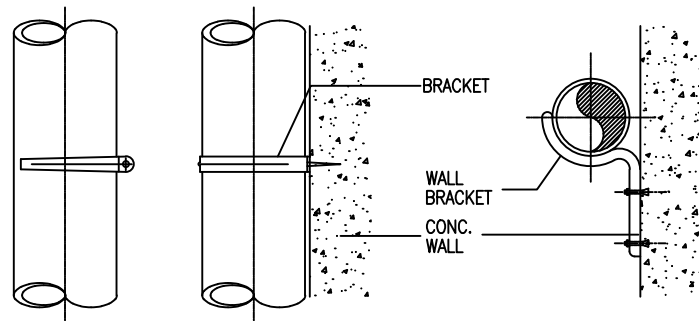


STANDARD CLEVIS HANGERS TABLE OF DIMENSIONS

D	A	B	R	W x T	K x L
34	80	45	12	25 x 3	M10 x 70
43	90	50	12	25 x 3	M10 x 80
48	95	50	12	25 x 3	M10 x 85
60	105	55	12	25 x 3	M10 x 100
76	115	60	14	40 x 6	M12 x 115
89	125	60	14	40 x 6	M12 x 130
114	145	65	18	40 x 6	M16 x 160
140	165	75	18	40 x 6	M16 x 190
165	185	80	18	40 x 6	M16 x 210

STANDARD VERTICAL CLAMP TABLE OF DIMENSIONS

D	A	B	C	W x T	K x L
60	250	114	48	40 x 6	M12 x 40
76	266	130	48	50 x 6	M12 x 40
114	304	168	48	50 x 6	M12 x 40
165	468	254	75	75 x 10	M16 x 60
219	519	305	75	75 x 10	M16 x 60
273	573	359	75	75 x 10	M16 x 60
324	624	410	75	75 x 10	M16 x 60

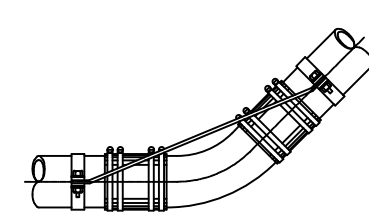


BRACKET FOR VERTICAL PIPE

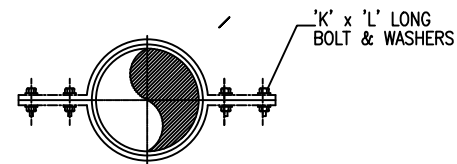
BRACKET FOR VERTICAL PIPE



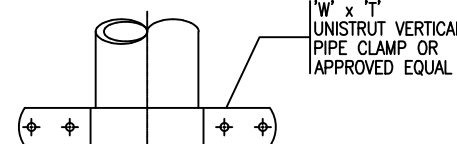
DETAIL OF PIPE HANGERS, CLAMPS & BRACKETS



FITTINGS FOR BEND PIPE/ HORIZONTAL PIPE



PLAN

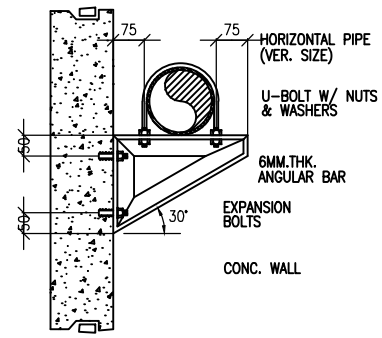


ELEVATION

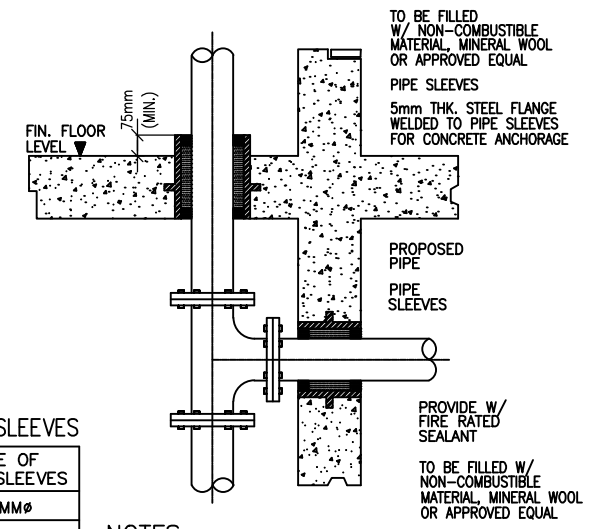
OWNER:	Project Title:	Prepared by:	Recommending approval by:	Approved by:	Sheet Content:	Sheet No.
Republic of the Philippines DEPARTMENT OF SCIENCE AND TECHNOLOGY Philippine Science High School MIMAROPA Region Campus Brgy. Rizal, Odiongan, Romblon 5505	CONSTRUCTION OF DORMITORY BUILDING I	PLANNING TEAM	Meriam F. Fallar FAD Chief	Edward C. Albaracin Campus Director	As Shown	FP
	Location: Brgy. Rizal, Odiongan Romblon 5505	Date Prepared:	Date:	Date:		1

AS APPROVED. 380 VOLTS, 3 PHASE 60 HERTZ

PIPE SIZE	U-BOLT DIA.	ANGLE BAR	EXPANSION BOLT
50	10	50 X 50	10
65	10	50 X 50	10
75	10	50 X 50	10
100	12	65 X 65	12

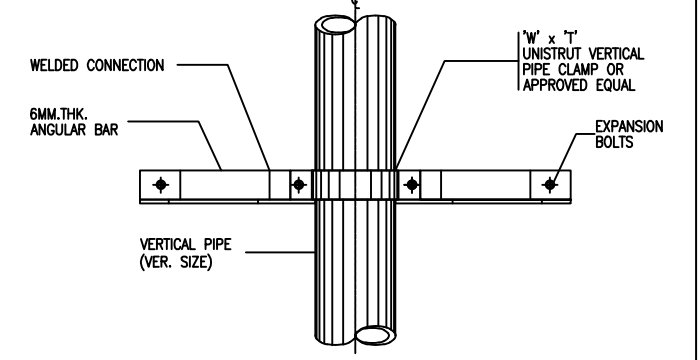
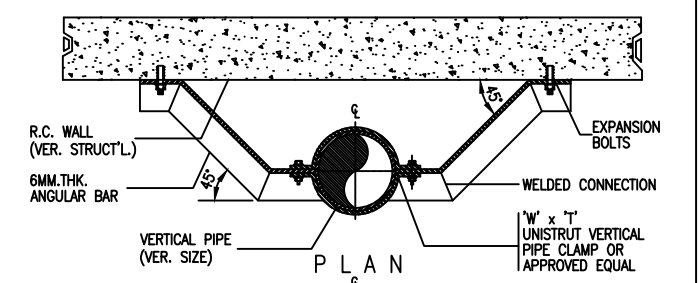


ELEVATION
PIPE BRACKET

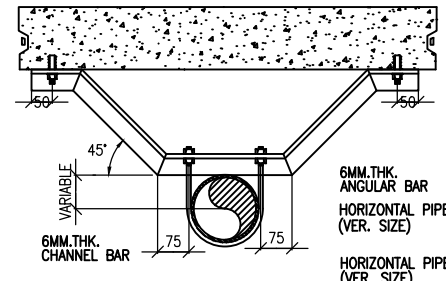


SIZE OF BRANCHLINES	SIZE OF PIPE SLEEVES
25MMØ	50MMØ
32MMØ	50MMØ
40MMØ	65MMØ
50MMØ	75MMØ
65MMØ	100MMØ
75MMØ	100MMØ
100MMØ	150MMØ
150MMØ	225MMØ
200MMØ	300MMØ

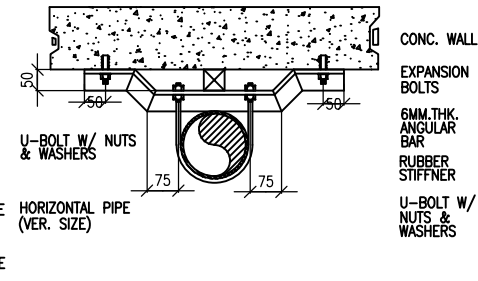
NOTES :
SLEEVES SHALL BE PROVIDED AROUND ALL PIPING EXTENDING THROUGH WALLS, FLOORS, PLATFORMS AND FOUNDATIONS.
1. THE CLEARANCE BETWEEN THE PIPE SLEEVES SHALL BE FILLED W/NON-COMBUSTIBLE FLEXIBLE MATERIAL SUCH AS MINERAL WOOL, FIBERGLASS OR EQUIVALENT.
2. MINIMUM CLEARANCE BETWEEN PIPE AND SLEEVES SHALL NOT BE LESS THAN 25MM FOR PIPE 25MM THROUGH 75MM & 40MM FOR PIPE SIZE 100MM AND LARGER FLOOR SLEEVES SHALL BE EXTENDED AT LEAST 75MM ABOVE THE TOP OF THE WEARING SURFACE.



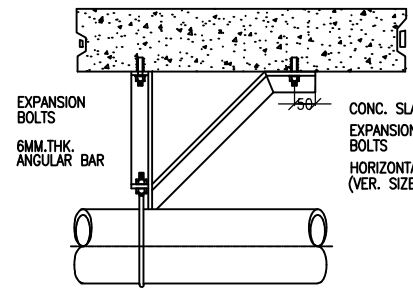
ELEVATION
DETAIL OF RISER SWAY BRACE
NOT TO SCALE



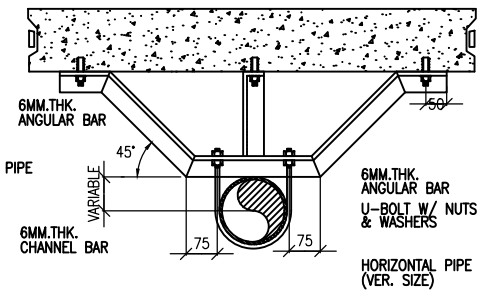
SECTION
LATERAL BRACE



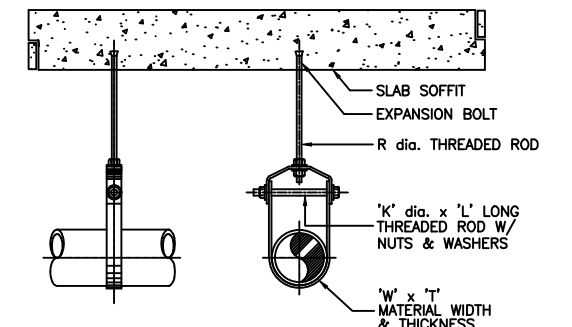
SECTION
4-WAY SWAY BRACE



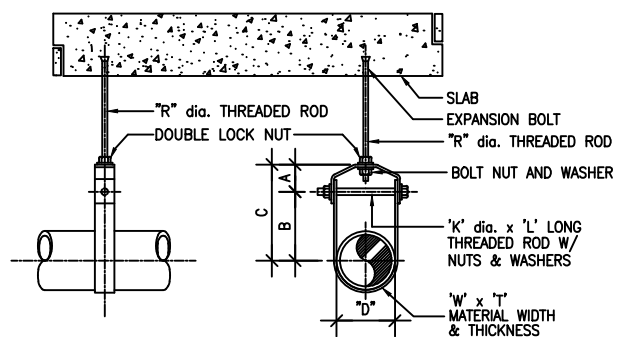
ELEVATION
LONGITUDINAL BRACE



SECTION
LONGITUDINAL BRACE



D	A	B	R	W x T	K x L
34	80	45	12	25 x 3	M10 x 70
43	90	50	12	25 x 3	M10 x 80
48	95	50	12	25 x 3	M10 x 85
60	105	55	12	25 x 3	M10 x 100
76	115	60	14	40 x 6	M12 x 115
89	125	60	14	40 x 6	M12 x 130
114	145	65	18	40 x 6	M16 x 160
140	165	75	18	40 x 6	M16 x 190
165	185	80	18	40 x 6	M16 x 210

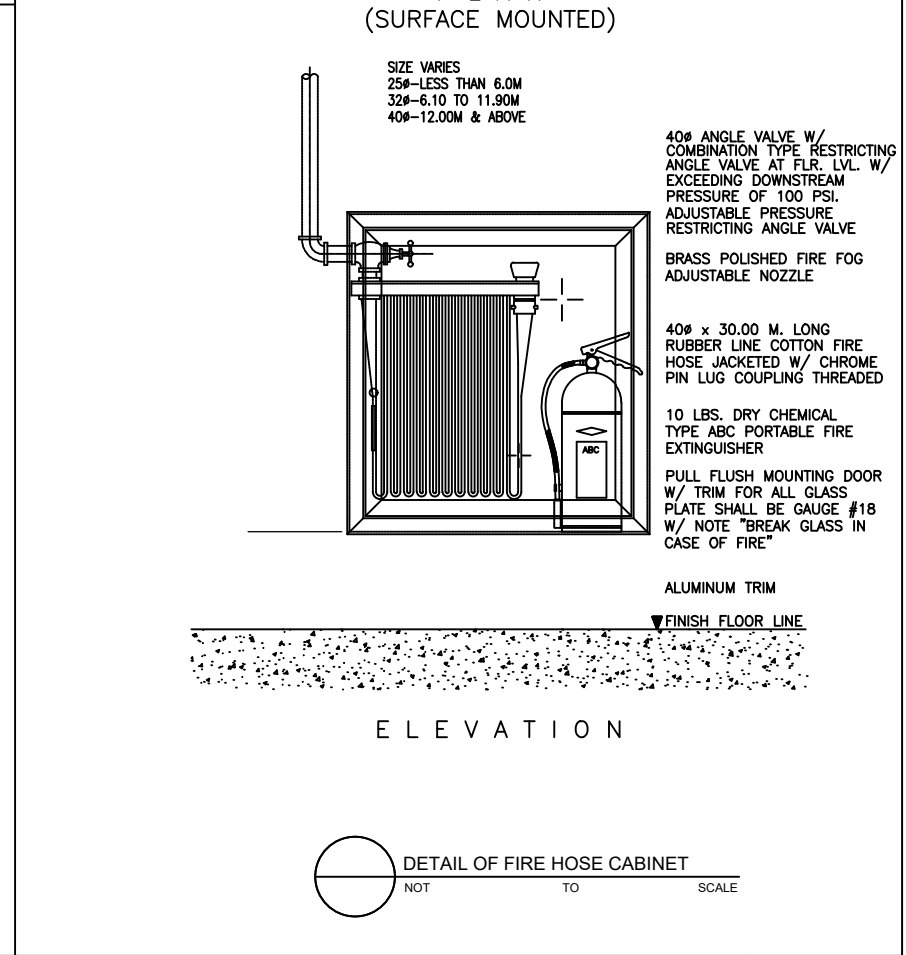
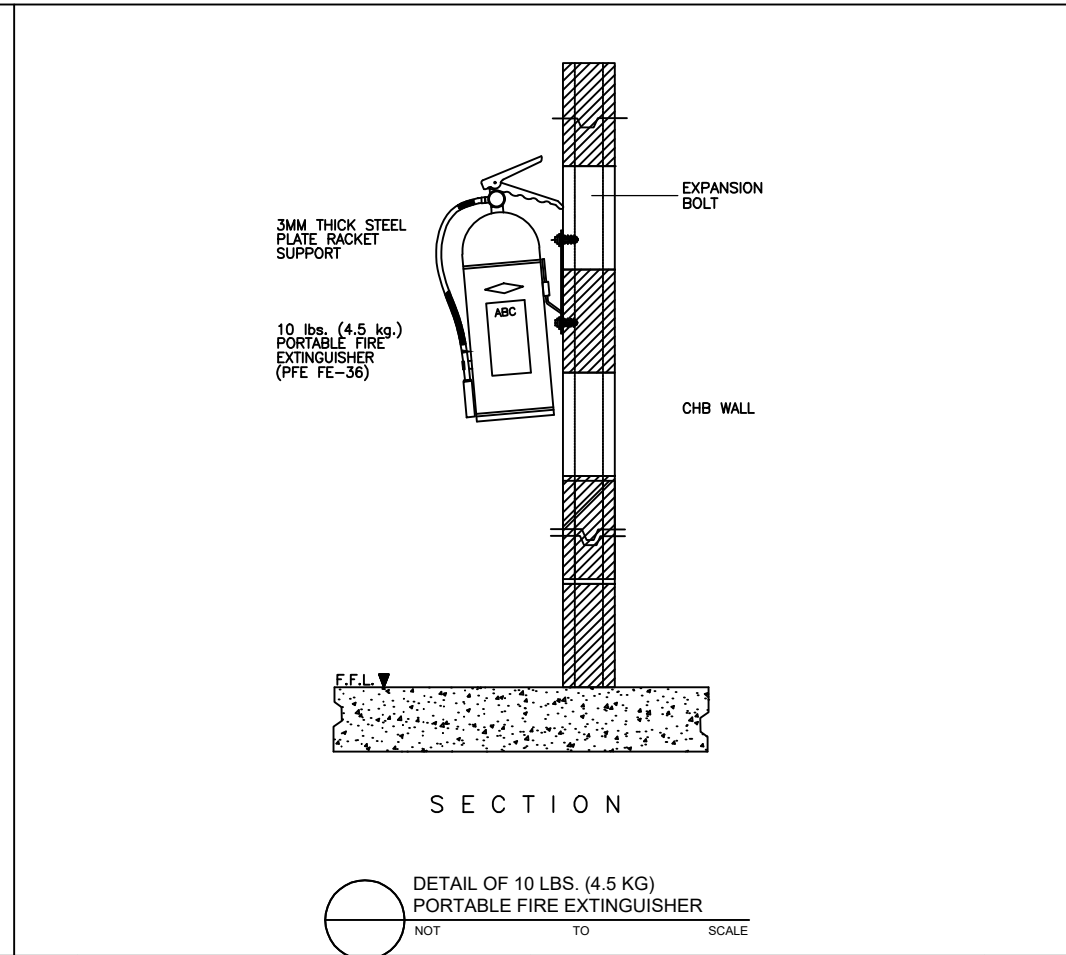
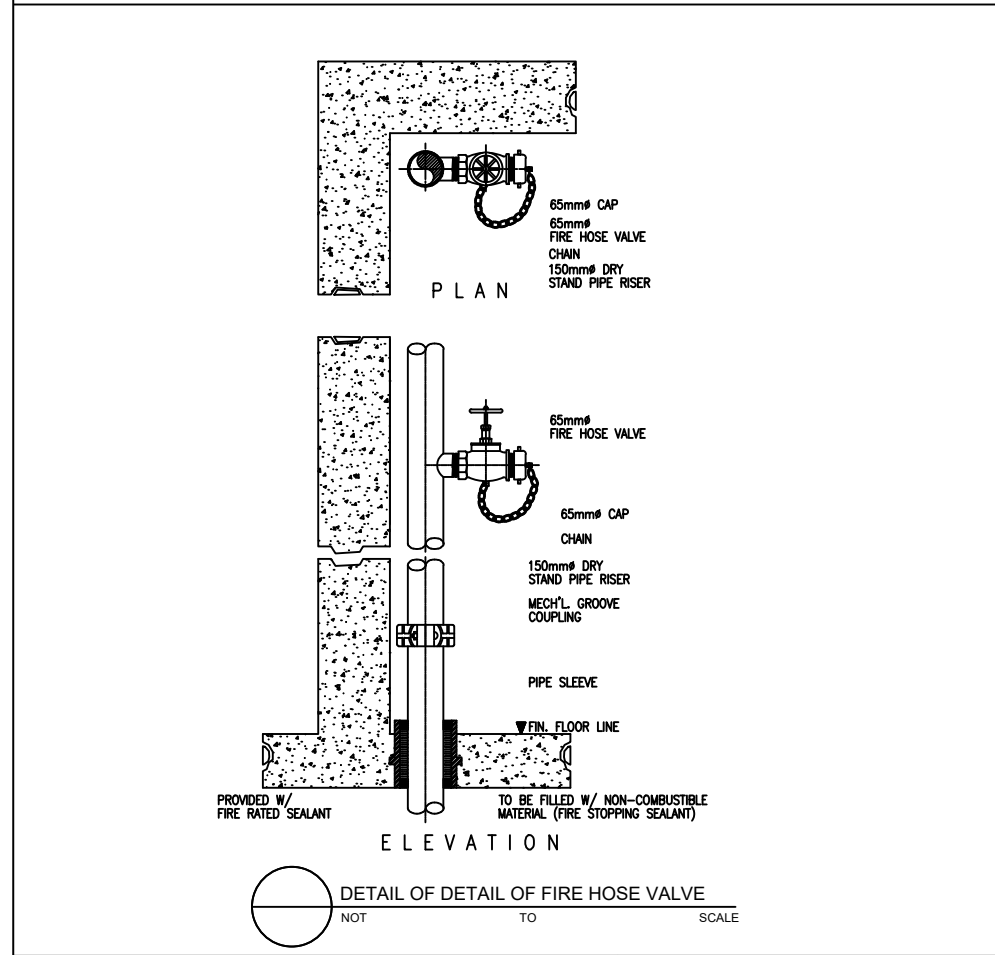
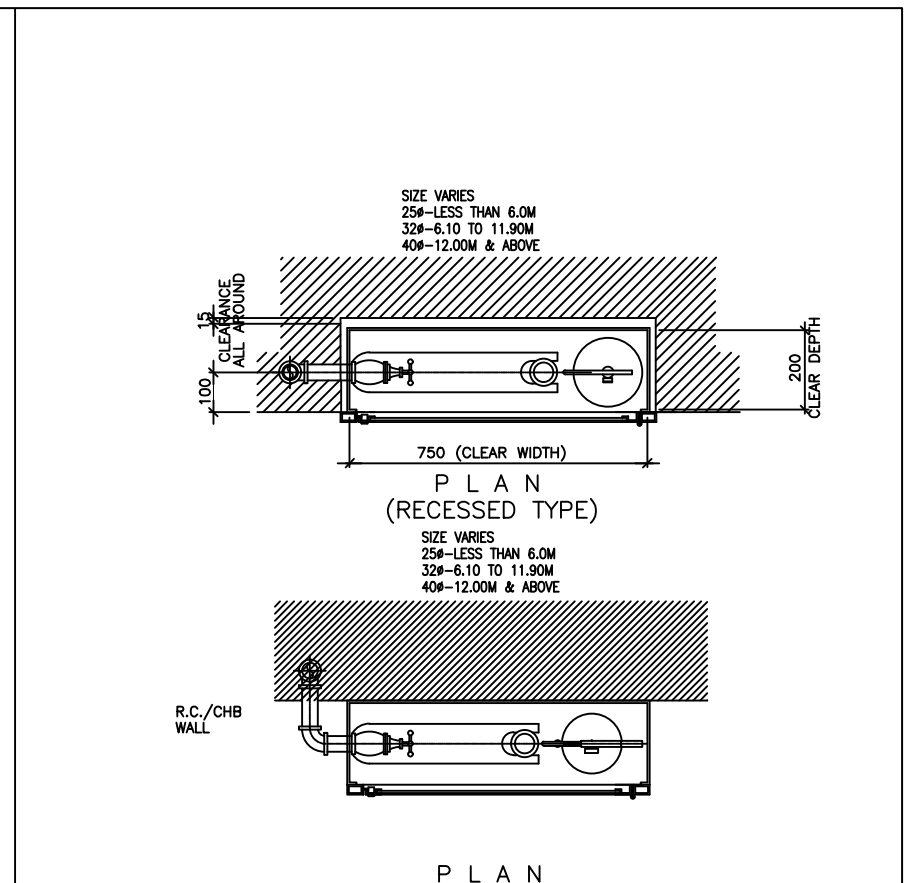
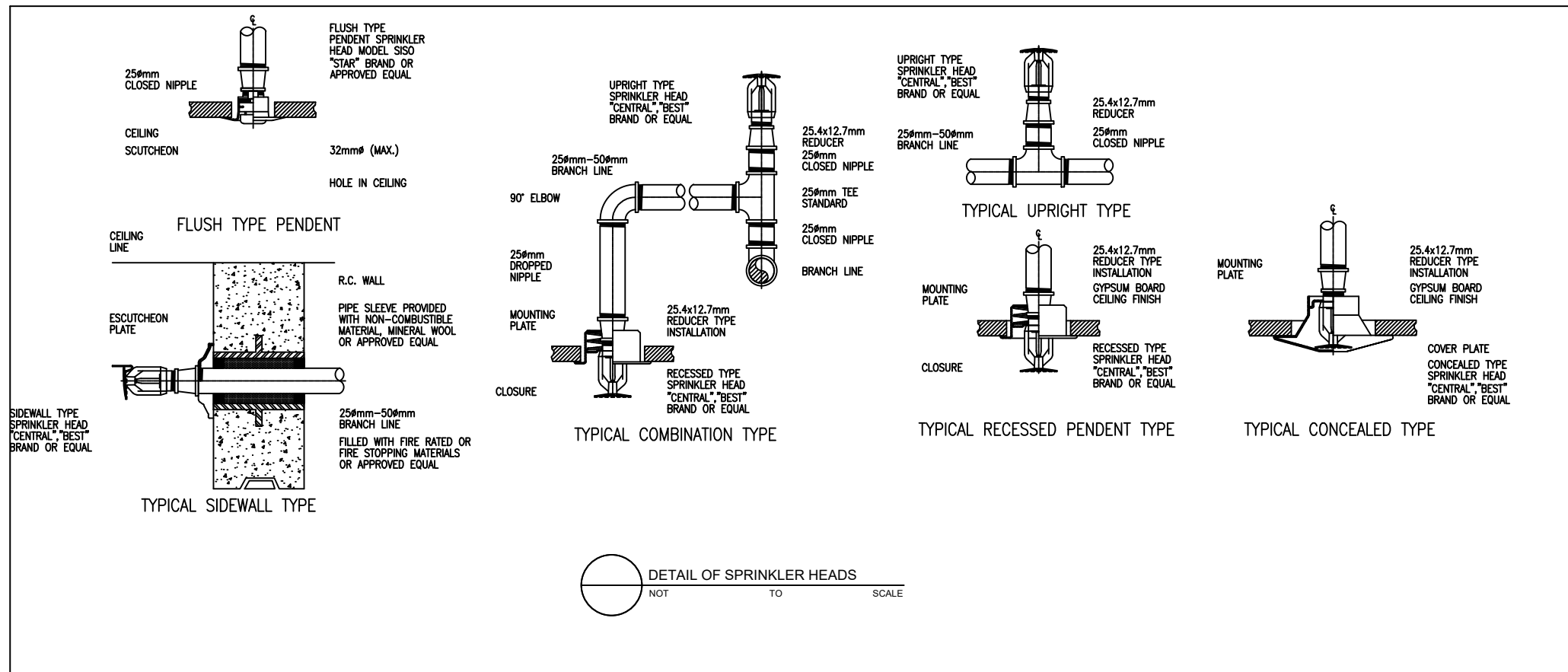


ELEVATION
SECTION
CLEVIS HANGERS

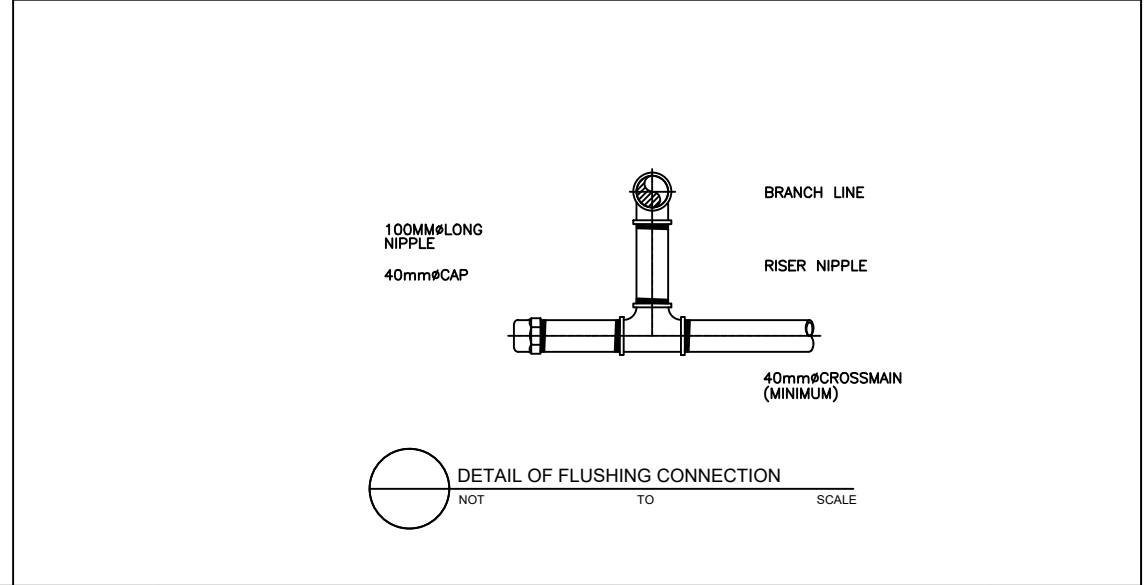
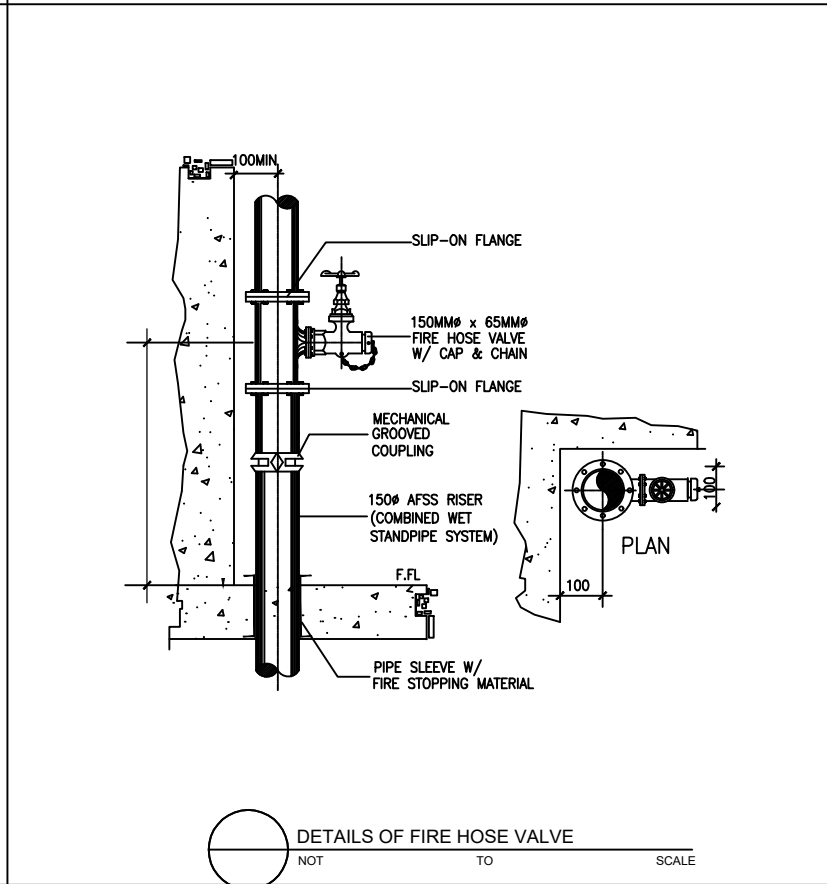
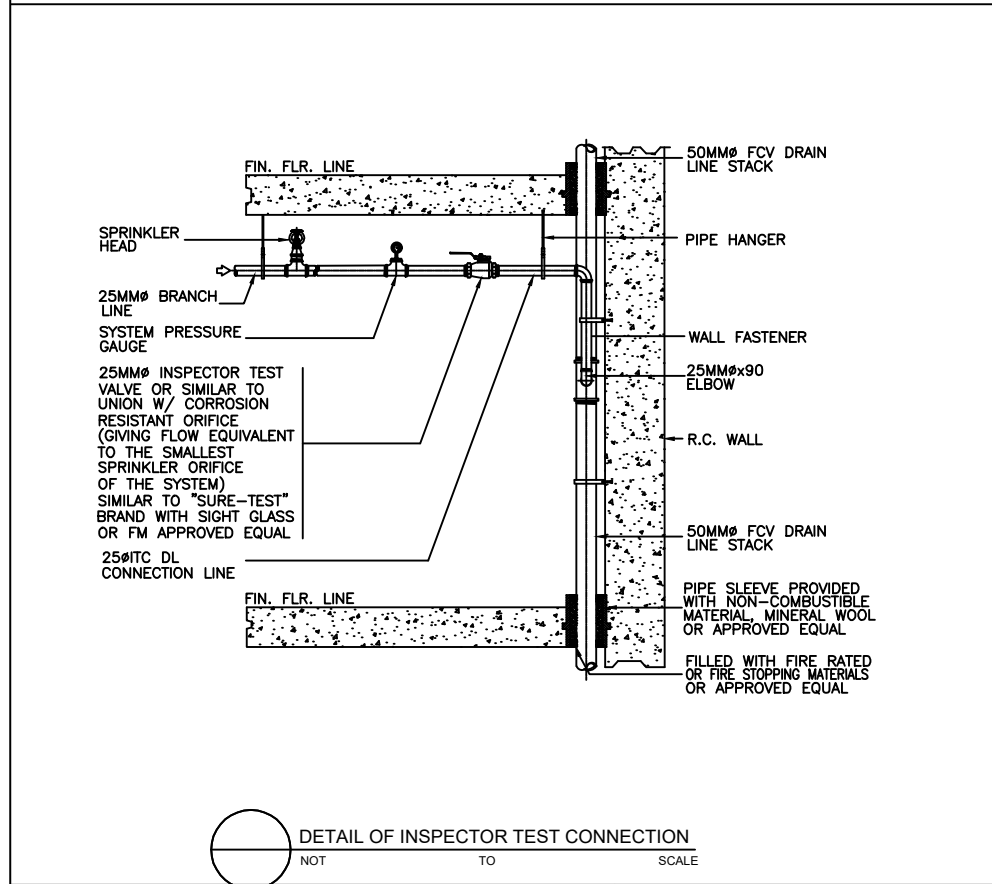
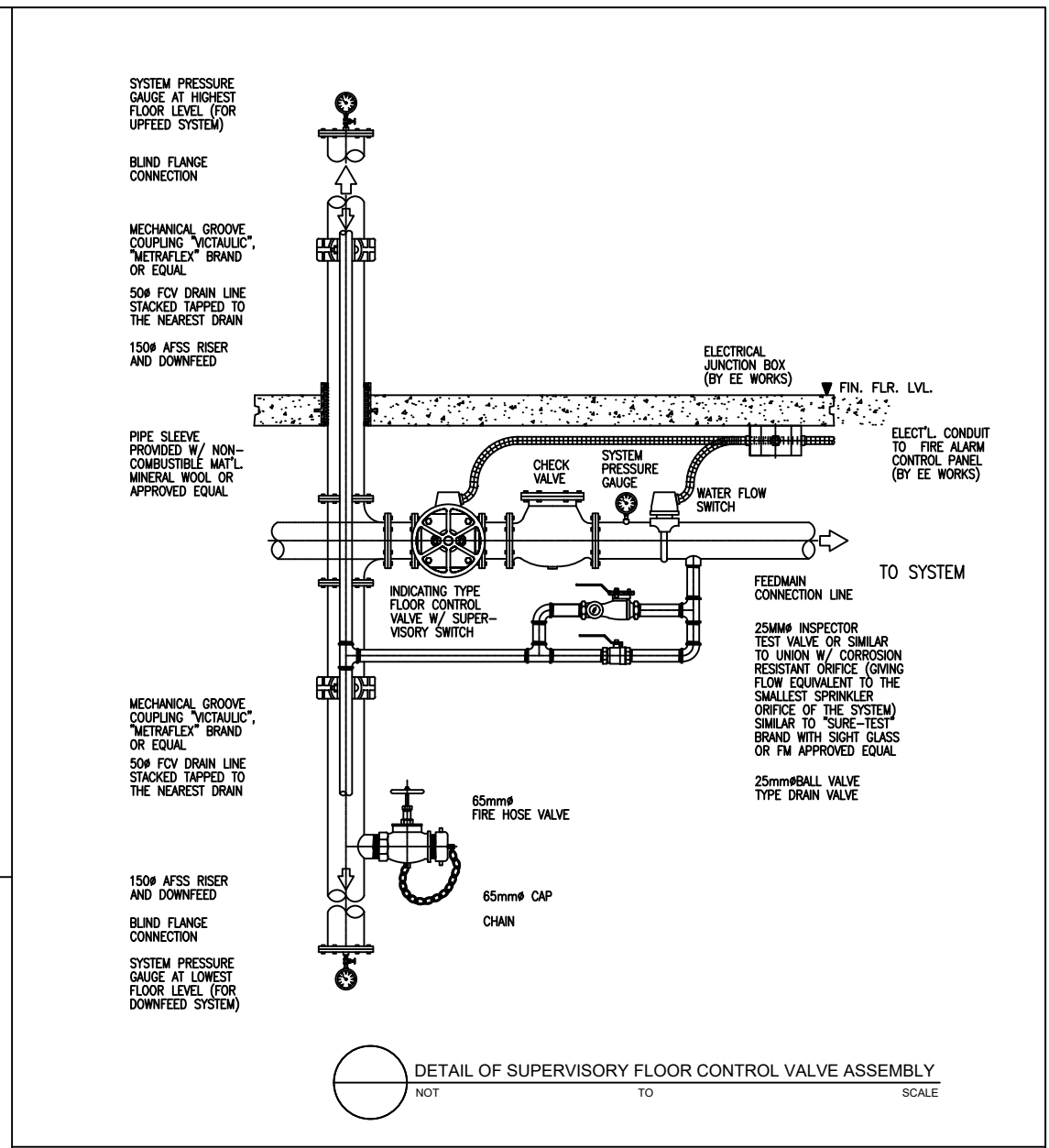
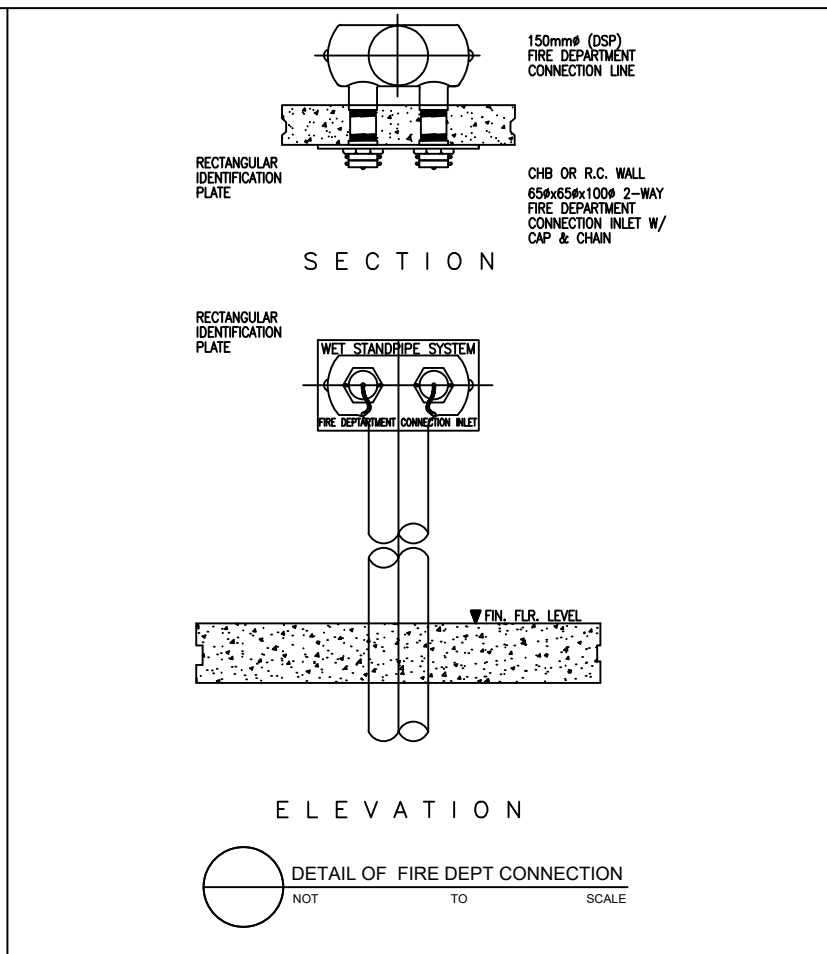
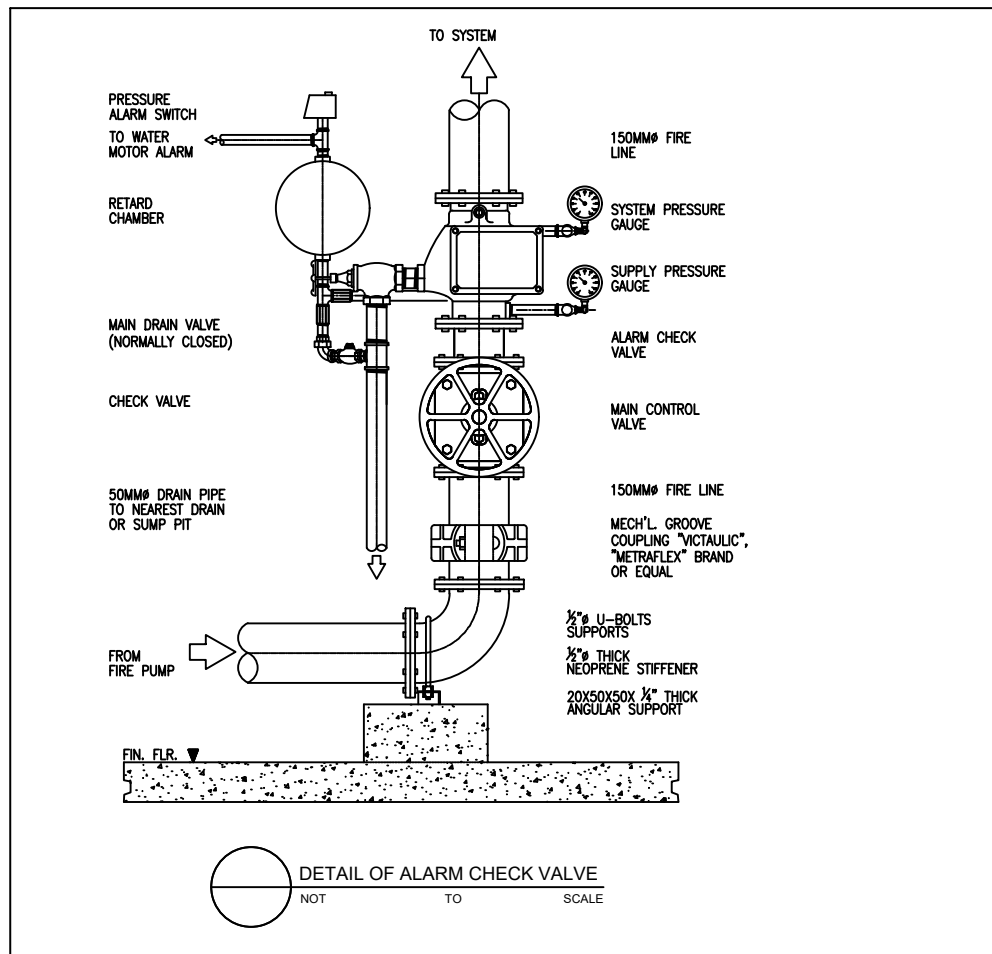
PIPE SIZE "D" (MM)	ROD DIA. "R" (MM)	B	C	A MAX.	W x T	K x L
50	9.65	111.12	143	69.30	25 x 3	M10 x 85
75	12.7	105.0	165.1	30.23	40 x 6	M12 x 115
100	15.9	133.35	40	33.27	40 x 6	M12 x 130
150	19.1	176.12	267	50.00	40 x 6	M16 x 190




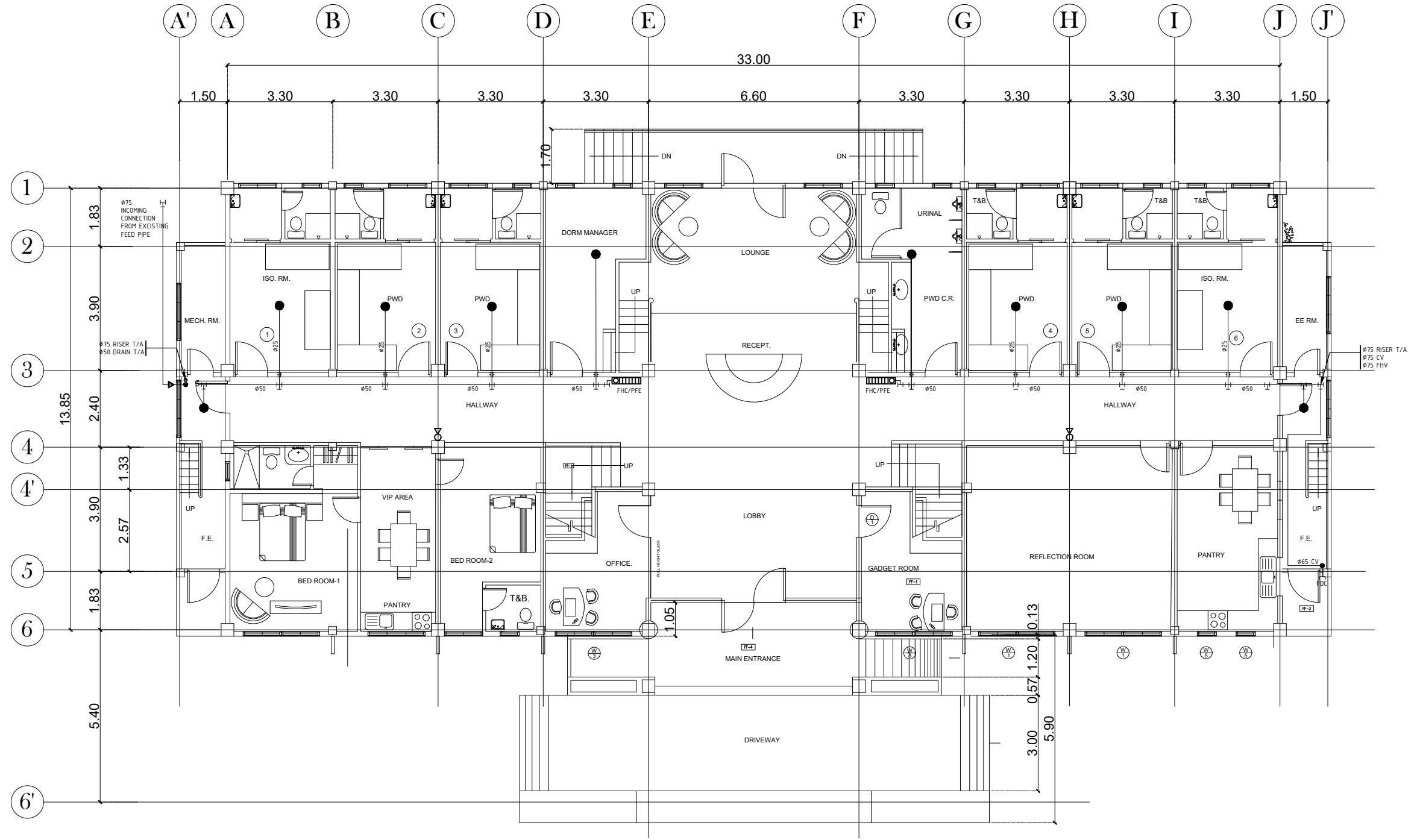
OWNER:	Project Title:	Prepared by:	Recommending approval by:	Approved by:	Sheet Content:	Sheet No.
<p>Republic of the Philippines DEPARTMENT OF SCIENCE AND TECHNOLOGY Philippine Science High School MIMAROPA Region Campus Brgy. Rizal, Odiongan, Romblon 5505</p>	<p>CONSTRUCTION OF DORMITORY BUILDING I</p>	<p><u>PLANNING TEAM</u></p>	<p><u>Meriam F. Fallar</u> FAD Chief</p>	<p><u>Edward C. Albaracin</u> Campus Director</p>	<p>As Shown</p>	<p>FP</p>
	Location: Brgy. Rizal, Odiongan Romblon 5505	Date Prepared:	Date:	Date:	2	9




OWNER:	Project Title:	Prepared by:	Recommending approval by:	Approved by:	Sheet Content:	Sheet No.
Republic of the Philippines DEPARTMENT OF SCIENCE AND TECHNOLOGY Philippine Science High School MIMAROPA Region Campus Brgy. Rizal, Odiongan, Romblon 5505	CONSTRUCTION OF DORMITORY BUILDING I	PLANNING TEAM	Meriam F. Fallar FAD Chief	Edward C. Albaracin Campus Director	As Shown	FP
	Location: Brgy. Rizal, Odiongan Romblon 5505	Date Prepared:	Date:	Date:		3

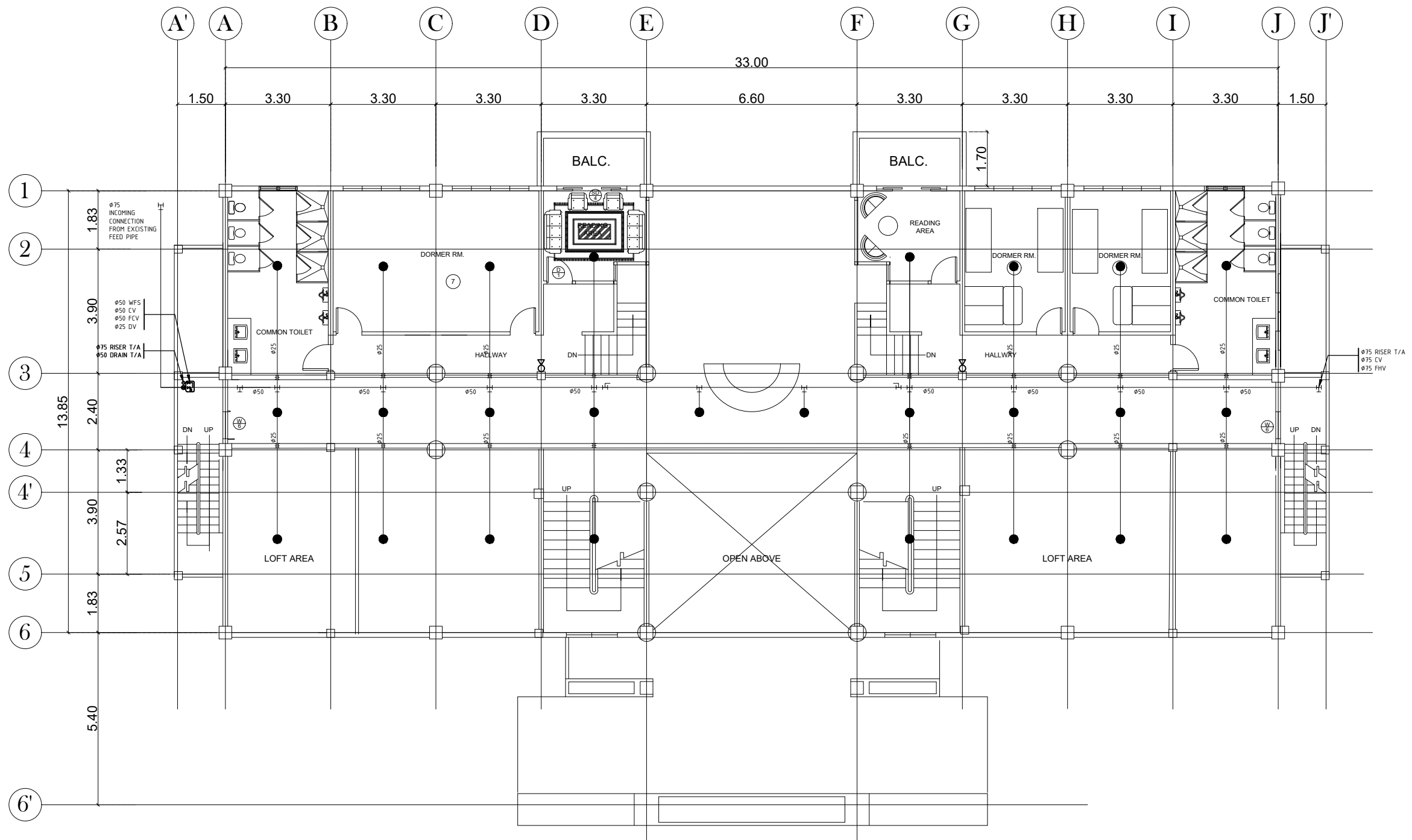


OWNER:	Project Title:	Prepared by:	Recommending approval by:	Approved by:	Sheet Content:	Sheet No.
 Republic of the Philippines DEPARTMENT OF SCIENCE AND TECHNOLOGY Philippine Science High School MIMAROPA Region Campus Brgy. Rizal, Odiongan, Romblon 5505	CONSTRUCTION OF DORMITORY BUILDING I	PLANNING TEAM	Meriam F. Fallar FAD Chief	Edward C. Albaracin Campus Director	As Shown	FP
	Location: Brgy. Rizal, Odiongan Romblon 5505	Date Prepared:	Date:	Date:		4 9




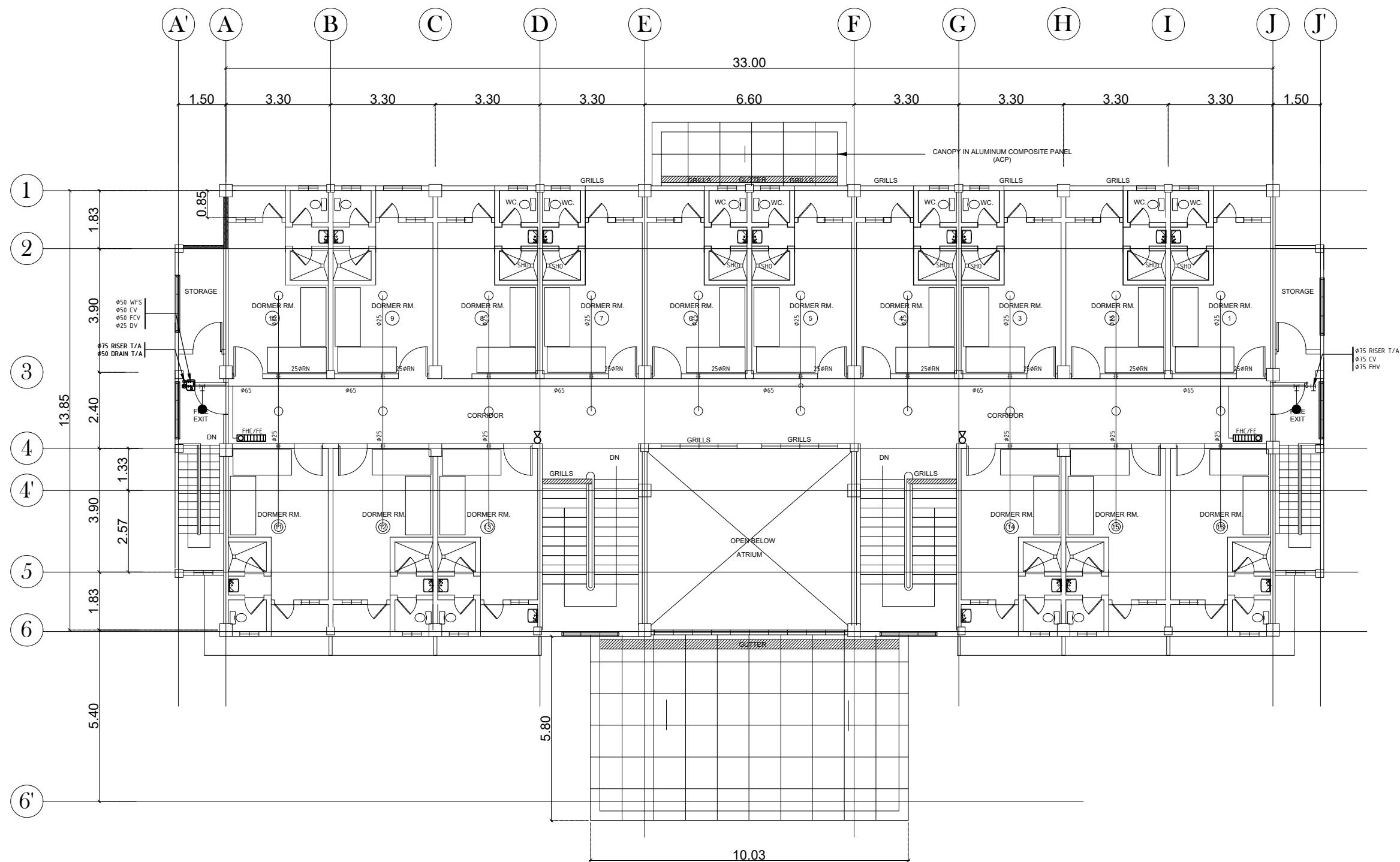
1
**GROUND FLOOR
FIRE PROTECTION LAYOUT**
 SCALE 1:150m

OWNER:	Project Title:	Prepared by:	Recommending approval by:	Approved by:	Sheet Content:	Sheet No.
 Republic of the Philippines DEPARTMENT OF SCIENCE AND TECHNOLOGY Philippine Science High School MIMAROPA Region Campus Brgy. Rizal, Odiongan, Romblon 5505	CONSTRUCTION OF DORMITORY BUILDING I	<u>PLANNING TEAM</u>	<u>Meriam F. Fallar</u> FAD Chief	<u>Edward C. Albaracin</u> Campus Director	As Shown	FP
	Location: Brgy. Rizal, Odiongan Romblon 5505	Date Prepared:	Date:	Date:	5	9



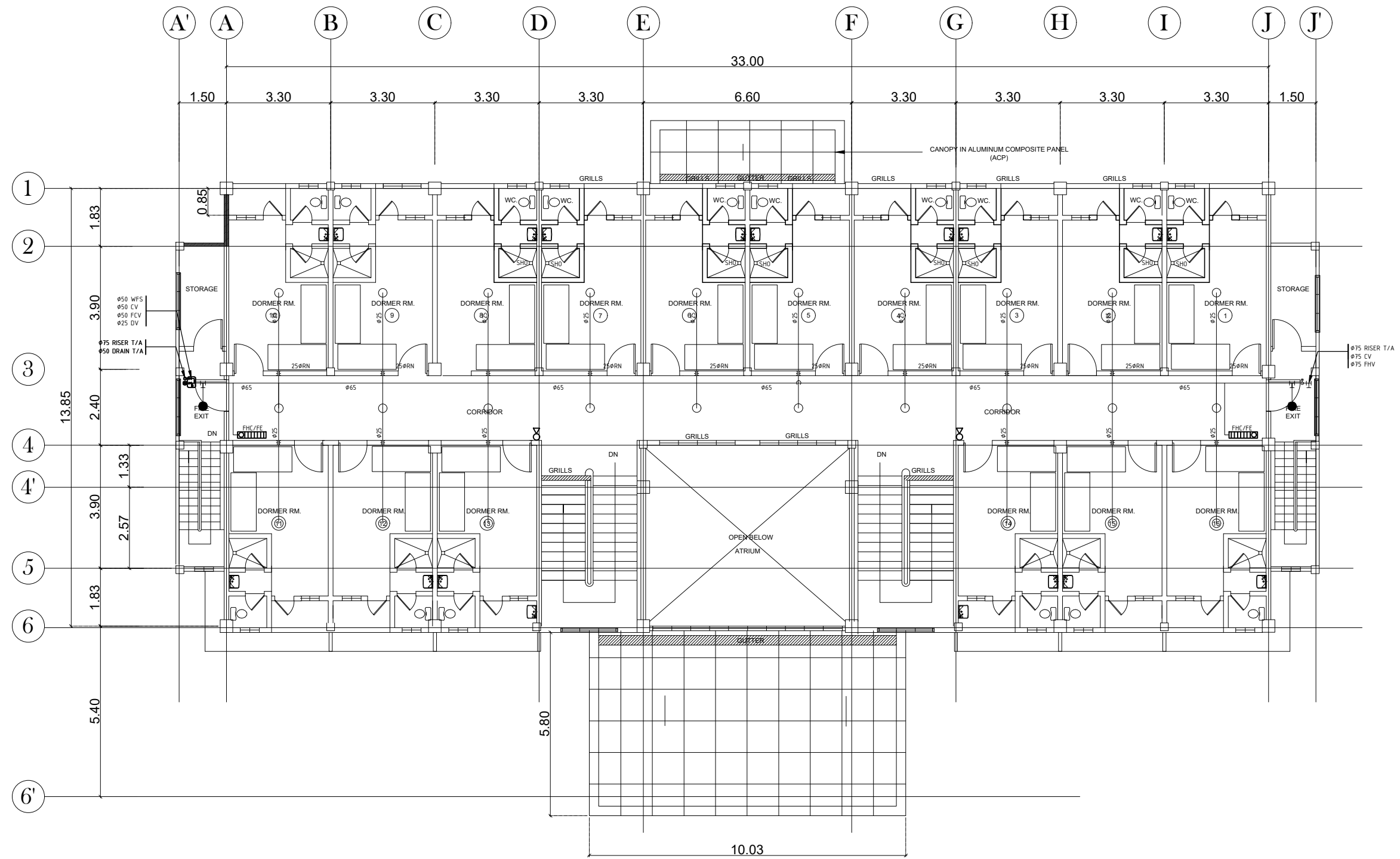
1
**MEZZANINE FLOOR
FIRE PROTECTION LAYOUT**
 SCALE 1:100m

OWNER:	Project Title:	Prepared by:	Recommending approval by:	Approved by:	Sheet Content:	Sheet No.
 Republic of the Philippines DEPARTMENT OF SCIENCE AND TECHNOLOGY Philippine Science High School MIMAROPA Region Campus Brgy. Rizal, Odiongan, Romblon 5505	CONSTRUCTION OF DORMITORY BUILDING I	<u>PLANNING TEAM</u>	<u>Meriam F. Fallar</u> FAD Chief	<u>Edward C. Albaracin</u> Campus Director	As Shown	FP
	Location: Brgy. Rizal, Odiongan Romblon 5505	Date Prepared:	Date:	Date:	6	9



1
FP-7
**SECOND FLOOR
 FIRE PROTECTION LAYOUT**
 SCALE 1:150m

OWNER:	Project Title:	Prepared by:	Recommending approval by:	Approved by:	Sheet Content:	Sheet No.
Republic of the Philippines DEPARTMENT OF SCIENCE AND TECHNOLOGY Philippine Science High School MIMAROPA Region Campus Brgy. Rizal, Odiongan, Romblon 5505	CONSTRUCTION OF DORMITORY BUILDING I	<u>PLANNING TEAM</u>	<u>Meriam F. Fallar</u> FAD Chief	<u>Edward C. Albaracin</u> Campus Director	As Shown	FP
	Location: Brgy. Rizal, Odiongan Romblon 5505	Date Prepared:	Date:	Date:	7	9




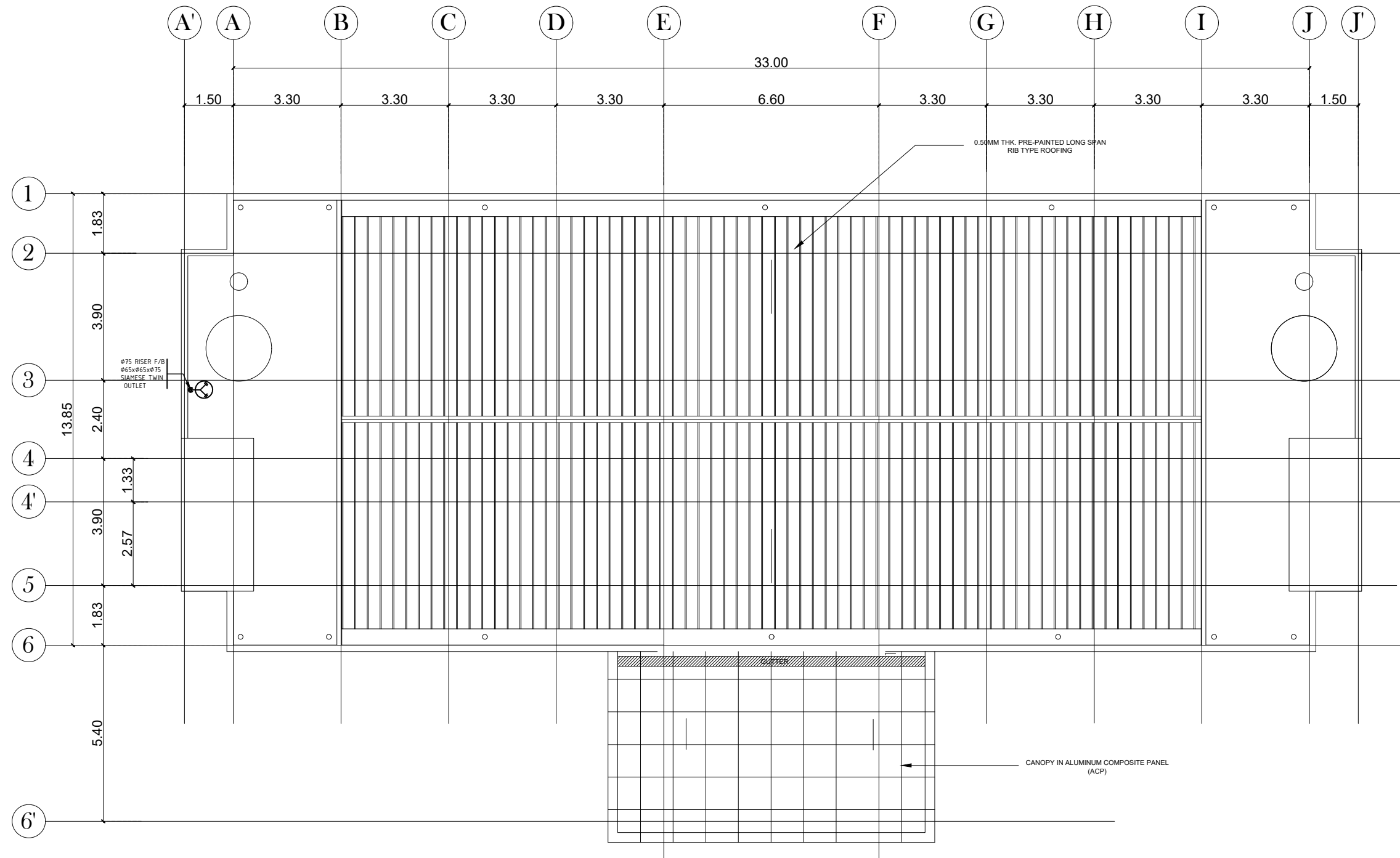
1
FP-8

THIRD FLOOR
FIRE PROTECTION LAYOUT

SCALE

1:150m

OWNER:	Project Title:	Prepared by:	Recommending approval by:	Approved by:	Sheet Content:	Sheet No.
 Republic of the Philippines DEPARTMENT OF SCIENCE AND TECHNOLOGY Philippine Science High School MIMAROPA Region Campus Brgy. Rizal, Odiongan, Romblon 5505	CONSTRUCTION OF DORMITORY BUILDING I	PLANNING TEAM	Meriam F. Fallar FAD Chief	Edward C. Albaracin Campus Director	As Shown	FP
	Location: Brgy. Rizal, Odiongan Romblon 5505	Date Prepared:	Date:	Date:	8	9



1
FP-9

ROOF DECK
FIRE PROTECTION LAYOUT

SCALE 1:150m

OWNER:	Project Title:	Prepared by:	Recommending approval by:	Approved by:	Sheet Content:	Sheet No.
Republic of the Philippines DEPARTMENT OF SCIENCE AND TECHNOLOGY Philippine Science High School MIMAROPA Region Campus Brgy. Rizal, Odiongan, Romblon 5505	CONSTRUCTION OF DORMITORY BUILDING I	<u>PLANNING TEAM</u>	<u>Meriam F. Fallar</u> FAD Chief	<u>Edward C. Albaracin</u> Campus Director	As Shown	FP
	Location: Brgy. Rizal, Odiongan Romblon 5505	Date Prepared:	Date:	Date:	9	9