



Project:

SUPPLY AND DELIVERY OF ADDITIONAL MODULAR / TRAPEZOID TABLES AND ERGONOMIC CHAIRS

The PHILIPPINE SCIENCE HIGH SCHOOL - MIMAROPA REGION CAMPUS (PSHS-MRC) intends to apply the sum of **NINE HUNDRED SEVENTY-FOUR THOUSAND ONE HUNDRED PESOS (Php 974,100.00)** being the Approved Budget for the Contract (ABC) to pay for the contract for the Project: **SUPPLY AND DELIVERY OF ADDITIONAL MODULAR / TRAPEZOID TABLES AND ERGONOMIC CHAIRS**

1. The PSHS-MRC now invites qualified suppliers/manufacturers/dealers to submit price quotations for the above item with the following specifications:
 - 1.1 Please see attached request for quotation form.

ADDITIONAL MODULAR / TRAPEZOID TABLES AND ERGONOMIC CHAIRS

Lot 1 - 85pcs MODULAR TABLES/TRAPEZOID TABLES ABC: Php 775,200.00
Lot 2 - 85pcs ERGONOMIC CHAIR ABC: Php 198,900.00

2. Procurement will be conducted through one of the Alternative Modes of Procurement which is "Small Value Procurement" specified under RA 9184, and its Revised IRR, otherwise known as the "Government Procurement Reform Act".
3. Eligibility Requirements for Small Value Procurement are:
 - a.) Certificate of Registration
 - b.) Updated Mayor's Permit
 - c.) Updated DTI / SEC Registration
 - d.) Updated Quarterly Income Tax Return / Tax Clearance
 - e.) PhilGEPs Certificate of Membership / Registration or Snapshot of Registered Account in PhilGEPs
 - f.) Notarized Omnibus Sworn Statement
 - g.) Landbank Passbook Account and Snapshot of Account in Landbank System for Payment Purposes
| Alternative is through Check Payment if Supplier has no Landbank Account
 - h.) Filled out Supplier's Information Sheet
4. Interested suppliers may obtain the Request for Quotation (RFQ) Form from the Finance and Administrative Division (FAD), PSHS-MRC c/o Mr. ELIAZAR M. FIRMALO, (0933-337-2203 (Sun), 0995-652-8136 (Globe) / bacsec@mrc.pshs.edu.ph on **June 25-28, 2019 from 8:00am – 5:00pm** without cost.
5. The deadline for submission of duly accomplished RFQ Form (Open or Sealed) is on **June 28, 2019, 5:00 pm**. Suppliers are not required to attend the Opening of Quotations.
6. The winning supplier will be notified in writing or by phone or otherwise by the Head of the Procuring Entity (HOPE) subject to the provisions of RA 9184 and its Revised IRR.
7. The PSHS-MRC reserves the right to accept or reject any price offer, and to annul the procurement process and reject all offers at any time prior to contract award, without thereby incurring any liability to the affected supplier or suppliers.

MERIAM F. FALLAR
Administrative Officer V
BAC Chairperson



Republic of the Philippines
 Department of Science and Technology
PHILIPPINE SCIENCE HIGH SCHOOL - MIMAROPA REGION CAMPUS
 Brgy. Rizal, Odiongan, Romblon

REQUEST FOR QUOTATION

Quotation No.:

2019-06-077

Date:

20-Jun-19

GENTLEMEN:

May we request for quotation on materials enumerated hereunder. If you are interested and in a position to furnish the same, we shall be glad to have your best prices.

DELIVERY WITHIN 15 WORKING DAYS UPON RECEIPT OF APPROVED PURCHASE ORDER (P.O)

In case of failure to make the full delivery / completion within the time specified as offered / required, the Supplier / Contractor shall be liable for liquidated damages / penalty of one-tenth (1/10) of one percent (1%) of the Contract Price per calendar day of delay minus the value of the delivered / completed portion (s) of the approved P.O. / Contract.


ITEM #	QTY	UNIT	ITEM / DESCRIPTION	UNIT COST	TOTAL COST
PRICES MUST BE TAX (VAT) INCLUSIVE					
Lot 1	85	pcs	MODULAR TABLES/TRAPEZOID TABLES		
			Hardwood (fireproofing and scratch resistant)		
			Trapezoidal shape with wood laminates		
			No wheels, (See photo reference)		
Lot 2	85	pcs	ERGONOMIC CHAIR		
			Stackable, ergonomic lightweight		
			Light duty colored visitors chair in thick powder coated steel frame		
			Material: Polypropolyne		
			(See photo reference)		
			Nothing Follows		
			TOTAL		

DELIVERY TERM:

DELIVERY TIME: DELIVERY WITHIN 15 WORKING DAYS UPON RECEIPT OF APPROVED PURCHASE ORDER (P.O)

PAYMENT TERM: 30 Calendar Days Upon Receipt of Purchase Order (PO)

Very Truly Yours,


ELIAZAR M. FIRMALO

A. O. III - Supply Officer II
 Mob. No.: 0933-3372203(Sun)
 Email: bacsec@mrc.pshs.edu.ph

Authorized Company
 Representative:

(Signature over Printed Name)

Company Name:

Address:

Mobile No., Tel. No.:

T.I.N.:

IMPORTANT

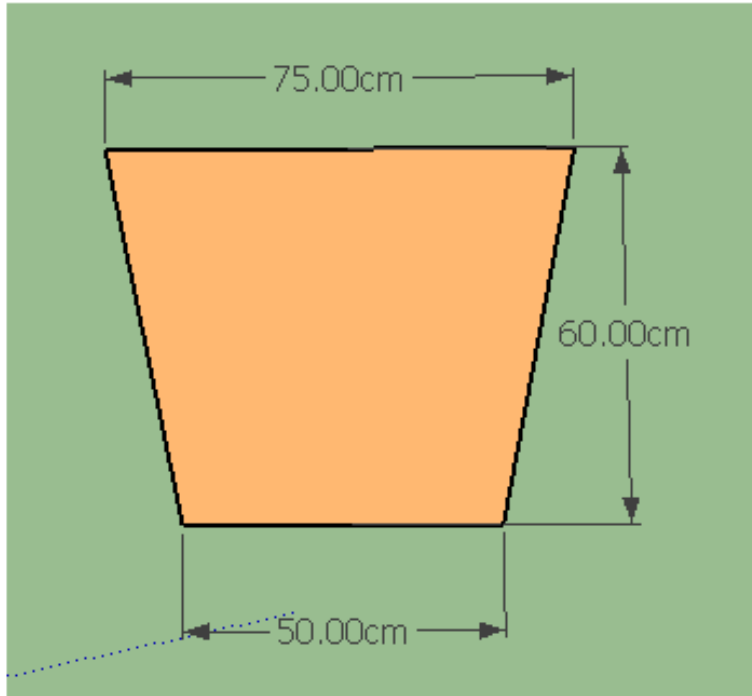
- Prices must be typewritten in ink clearly.
- If offering a substitute / equivalent, specify brand name and make

PRICES IN THE ABOVE OFFER ARE CERTIFIED TRUE AND CORRECT:

Modular Tables /Trapezoid Tables



Dimension of Modular Tables /Trapezoid Tables



ERGONOMIC CHAIR

