

PHILIPPINE SCIENCE HIGH SCHOOL SYSTEM	REQUEST FOR QUOTATION FORM & NOTICE (GOODS)
Office/ Campus:	MIMAROPA REGION CAMPUS
Address/ Contact Details:	Brgy. Rizal, Odiongan, Romblon

Quotation No.:	2022-11-QN060
Date :	November 8, 2022

GENTLEMEN:

May we request for quotation on materials enumerated hereunder. If you are interested and in a position to furnish the same, we shall be glad to have your best prices.

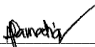
Delivery will be Within Twenty (20) calendar days upon Receipt of Purchase Order (PO).

In case of failure to make the full delivery/completion within the time specified as offered/required, the Supplier/Contractor shall be liable for liquidated damages/penalty of one-tenth (1/10) of one percent (1%) of the Contract Price per calendar day of delay minus the value of the delivered/completed portion(s) of the approved P.O./Contract.

Item #	QTY	UNIT	ITEM/DESCRIPTION	UNIT COST	TOTAL COST
PRICES MUST BE Tax (VAT) INCLUSIVE					
LOT 1					
	40	pc	8-Liter Trash Can with Swing Cover *please see attached photo reference		
	68	pc	50-Liter Trash Can with Swing Cover *please see attached photo reference		
	4	pc	30" Industrial fan Specifications: 30" Tripod type industrial fan 280 watts power 3 fan speed control with oscillation adjustable height up to 183cm *please see attached photo reference		
	6	pc	Hand Dryer Automatic Heavy Duty Specifications: Color: White Voltage: 200 - 240 V Power: 1800 W Installation Type: Wall Mount Sensor: Yes Drying Time (Second): 5 to 20 *please see attached photo reference		
	1	pc	Wheelbarrow Specifications: Bin Material: Steel Capacity: 6 cubic foot Number of Wheels: 1 wheel *please see attached photo reference		
	3	pc	Big Trash Can 250 L with wheels *please see attached photo reference		
	100	pc	Monoblock Chair Specifications: Material: Plastic Gross Weight: 2.25kgs Color: White *please see attached photo reference		
			Wall Mirror for Bathroom, customized 1 way mirror Specifications:		
	2	pc	1/4" thk. mirror; Area: 1.84 sq.m		
	2	pc	1/4" thk. mirror; Area: 1.20 sq.m		
	2	pc	1/4" thk. mirror; Area: 1.44 sq.m		
	2	pc	1/4" thk. mirror; Area: 1.57 sq.m *please see attached photo reference		
Nothing Follows					
TOTAL					

Delivery Term : _____
 Delivery Time : **Delivery will be Within Twenty (20) calendar days upon Receipt of Purchase Order (PO).**
 Payment Term : **Fifteen (15) days upon completion of delivery/service**

Very truly yours,


IVY MAY F. FAMATIGA
 A.O - V / Procurement Officer
 Mob. No.: 0961-074-0071 / 0906-591-5253
 Email: bacsec@mrc.pshs.edu.ph

Authorized Company
 Representative : _____

PRICES IN THE ABOVE OFFER ARE
 CERTIFIED TRUE AND CORRECT:

(Signature Over Printed Name)

Telefax: _____

IMPORTANT

1. Prices must be typewritten in ink clearly.
2. If offering a substitute/equivalent, specify the brand and make.

Company Name : _____
 Address : _____
 Telephone nos. : _____
 T.I.N. : _____

PHILIPPINE SCIENCE HIGH SCHOOL SYSTEM		REQUEST FOR QUOTATION FORM & NOTICE (GOODS)	
Office/ Campus:	MIMAROPA REGION CAMPUS		
Address/ Contact Details:	BRGY. RIZAL, ODIONGAN, ROMBLON		

Quotation No.:	2022-11-QN060
Date :	08-Nov-22

Project: **Supply and Delivery of Various GSU Supplies and Equipment**

The PHILIPPINE SCIENCE HIGH SCHOOL SYSTEM - MIMAROPA REGION CAMPUS intends to apply the sum of ONE HUNDRED NINETY EIGHT THOUSAND FOUR HUNDRED EIGHTY PESOS ONLY (**PhP198,480.00**) being the Approved Budget for the Contract (ABC) to pay for the contract for the Project: **Supply and Delivery of Various GSU Supplies and Equipment**

TERMS OF REFERENCE:

1. The PSHS-MRC now invites qualified suppliers/manufacturers/dealers/service providers to submit price quotations for the above item with the following specifications:
 - 1.1 Please see attached request for quotation form.

Supply and Delivery of Various GSU Supplies and Equipment
Lot 1 = PhP170,480.00
Lot 2 = PhP 28,000.00
TOTAL = PhP198,480.00
2. Procurement will be conducted through one of the Alternative Modes of Procurement which is "Small Value Procurement" specified under RA 9184, and its Revised IRR, otherwise known as the "Government Procurement Reform Act".
3. Eligibility Requirements for Small Value Procurement are:
 - a.) Updated Mayor's Permit
 - b.) Certificate of Registration
 - c.) Updated DTI / SEC Registration
 - d.) PhilGEPs Certificate of Membership / Registration or Snapshot of Registered Account in PhilGEPs
 - e.) Landbank Passbook Account and Snapshot of Account in Landbank System for Payment Purposes
| Alternative is through Check Payment if Supplier has no Landbank Account
 - f.) Filled out Supplier's Information Sheet
4. Interested suppliers may obtain the Request for Quotation (RFQ) Form from the Finance and Administrative Division (FAD), PSHS-MRC c/o **Ms. IVY MAY F. FAMATIGA**, 0961-074-0071 (Smart), 0906-591-5253 (Globe) / bacsec@mrc.pshs.edu.ph on **November 10, 2022 to November 14, 2022 from 8:00am – 5:00pm** without cost.
5. The deadline for submission of duly accomplished RFQ Form (Open or Sealed) is on **November 14, 2022, 5:00 pm**. Suppliers are not required to attend the Opening of Quotations.
6. The winning supplier will be notified in writing or by phone or otherwise by the Head of the Procuring Entity (HOPE) subject to the provisions of RA 9184 and its Revised IRR.
7. The PSHS-MRC reserves the right to accept or reject any price offer, and to annul the procurement process and reject all offers at any time prior to contract award, without thereby incurring any liability to the affected supplier or suppliers.


VIRGIL DOMINGO VAN F. FAMINI
 BAC Chairperson

8-Liter Trash Can with Swing Cover



50-Liter Trash Can with Swing Cover



30" Industrial fan



Hand Dryer Automatic Heavy Duty



Wheelbarrow

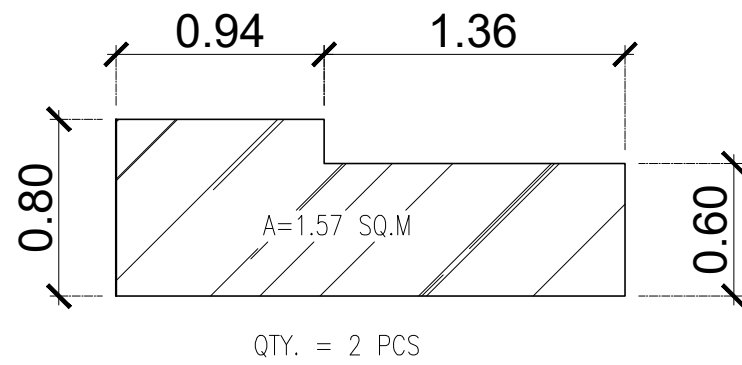
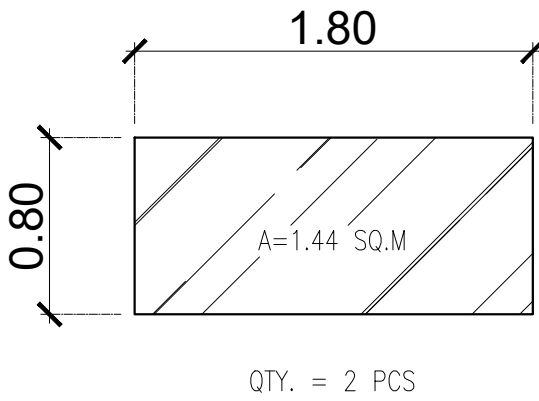
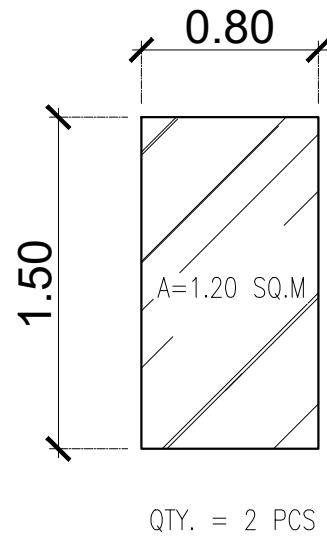
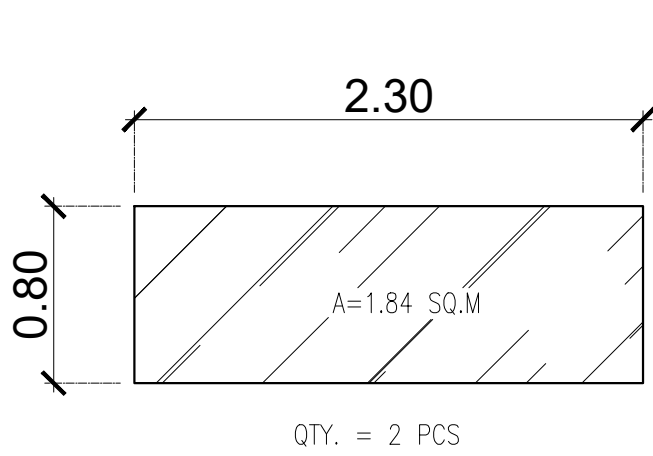


Big Trash Can 250 L with wheels



Monoblock Chair





TOILET MIRRORS